

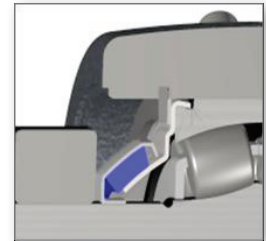
To: Distribution Inside/Outside, US, Canada, Intl Distributors, OEMS
From: Dan Burgey, Product Manager, Bearings
Date: April, 2010

Browning® Mounted Roller Bearing Change Notice

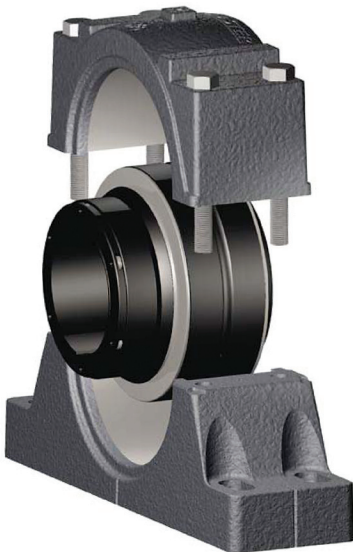
Dear Valued Emerson Industrial Automation Customer,

Emerson Industrial Automation is transitioning the Browning 900, 950 and 970 tapered roller bearing products to more popular roller bearing products with enhanced features and options. Options include the new Sealmaster® USRB which can be viewed at www.emerson-ept.com or visit us on You Tube at channel “ThePowerTransmission” URL: <http://www.youtube.com/watch?v=-NJ9k91NQ8c>. Resources will be available to assist you in making the best selection for your application.

Sealmaster USRB feature rich enhancements over the Browning 900 series include improved sealing, misalignment and comparable or higher BDR (basic dynamic rating). Dimensional comparisons and interchange information for Browning 900, 950 and 970 can be accessed via our EPT EDGE® on-line Smart Interchange Tool at www.emerson-ept.com



Mounted Between the Races and Allows up to +/- 2° Misalignment



Cartridge Provides Fast Installation and Removal

Orders will be accepted until 6/30/10 for the Browning 900, 950 and 970 products. Final shipments must take place no later than September 30, 2010. All sales will be final with no returns accepted.

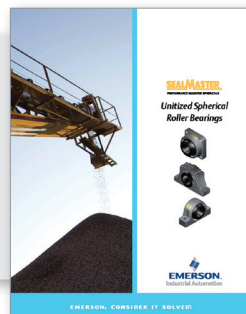
Please contact your local sales person or Application Engineering at 800 626-2093 - Option 1 for bearings or email at bearingengineering@emerson-ept.com for conversion assistance to a functional product replacement. They can answer questions you may have and help direct you to a product in the Emerson portfolio that best fits your needs.

Browning E920 and Sealmaster RPB tapered roller bearing products are not affected with this change.

Thank you for your continued support of Emerson Industrial Automation.



USRB Installation and Removal Training Video



Sealmaster USRB Mounted Roller Bearing Brochure is now available for ordering at our website www.emerson-ept.com